

**N.B.** For the correct choice of the gearmotor, please refer to the tables on page 118. Refer to AM series page 12 for motor revs under load. On request, the motor can be supplied with electromagnetic brake at 230 Vac. marked with letter KA (ACEKA), or 24 Vdc. marked with letter KB (ACEKB), see specifications on page 120.

**N.B.** Para una selección correcta del motorreductor se aconseja ajustarse a las tablas presentadas en la página 118. Para las revoluciones motor bajo carga hágase referencia a la serie AM pág. 12. A petición es posible proporcionar el motor con freno electromagnético alimentado con 230 Vac. que se distingue por la letra KA (ACEKA), ó con 24 Vdc. que se distingue por las letras KB (ACEKB), ver características en la pág. 120.

## COAXIAL GEARED MOTOR WITH PLANETARY REDUCTION GEAR

**MOTOR:** Asynchronous single or three phase with 2 or 4 poles. totally enclosed with external ventilation. Thermal safety cutout on single phase model. Class F. IP65 protection according to CEI EN 60529.

**GEAR UNIT:** First stage with die-cast aluminum housing. second stage steel. Case-hardened gearing with shafts rotating on roller bearings.

Lubricated with synthetic oil. High temperature oil seals.

15 gear ratios (i) from 37 to 2209.5. Rated torque 208 in-lbs. Version B3 or B5.

## MOTORREDUCTOR COAXIAL DE ENGRANAJES CON REDUCTOR EPICICLOIDAL

**MOTOR:** asíncrono monofásico o trifásico de 2 ó 4 polos. en forma cerrada con ventilación externa. Protector térmico de seguridad en el tipo monofásico. Aislamiento clase F. Protección IP 65 según normas CEI EN 60529.

**REDUCTOR:** Primera etapa con carcasa de aluminio inyectado a presión. segunda etapa de acero. Engranajes templados y endurecidos con correspondientes ejes que giran sobre cojinetes de rodillos. Lubricación con aceite especial de larga duración. Retenes para la estanqueidad de goma especial para altas temperaturas. Las relaciones de reducción disponibles (i) son 15. de 37 a 2209.5. Par nominal 208 in-lbs. Versión B3 ó B5.



Type Tipo	Ratio Relación	Delivered power Potencia entregada	Input r.p.m. no-load Revoluciones entrada sin carga	Output r.p.m. no-load Revoluciones salida sin carga	Rated torque Par nominal	Voltage Tensión	Current Intensidad	Capacitor Condensador
	i	HP	rpm	rpm	in-lbs	Vac - 60 Hz	A	µF
ACE 66	37	1/23	3360	90	25.7	115 1Ø	0.82	10
ACE 100P	37	1/18	3360	90	33.6	115 1Ø	0.98	12.5
ACE 160P2	37	1/10	3360	90	57.5	115 1Ø	1.30	16
ACE 44	37	1/56	1680	45	22.1	115 1Ø	0.62	12.5
ACE 80P	37	1/40	1680	45	31	115 1Ø	0.80	16
ACE 110P2	37	1/33	1680	45	38.9	115 1Ø	1	20
ACE 72T	37	1/33	3360	90	17.7	230 3Ø	0.26	-
ACE 244PT	37	1/13	3360	90	46.9	230 3Ø	0.62	-
ACE 320P2T	37	1/9	3360	90	69.9	230 3Ø	0.74	-
ACE 66T	37	1/56	1680	45	20.4	230 3Ø	0.23	-
ACE 110PT	37	1/40	1680	45	28.3	230 3Ø	0.30	-
ACE 145P2T	37	1/33	1680	45	36.3	230 3Ø	0.38	-
ACE 66	50.8	1/23	3360	66	35.4	115 1Ø	0.82	10
ACE 100P	50.8	1/18	3360	66	46	115 1Ø	0.98	12.5
ACE 160P2	50.8	1/10	3360	66	78.8	115 1Ø	1.30	16
ACE 44	50.8	1/56	1680	33	31.9	115 1Ø	0.62	12.5
ACE 80P	50.8	1/40	1680	33	42.5	115 1Ø	0.80	16
ACE 110P2	50.8	1/33	1680	33	54	115 1Ø	1	20
ACE 72T	50.8	1/33	3360	66	24.8	230 3Ø	0.26	-
ACE 244PT	50.8	1/13	3360	66	64.6	230 3Ø	0.62	-
ACE 320P2T	50.8	1/9	3360	66	96.5	230 3Ø	0.74	-
ACE 66T	50.8	1/56	1680	33	28.3	230 3Ø	0.23	-
ACE 110PT	50.8	1/40	1680	33	38.9	230 3Ø	0.30	-
ACE 145P2T	50.8	1/33	1680	33	49.6	230 3Ø	0.38	-
ACE 66	66.6	1/23	3360	50.4	46.9	115 1Ø	0.82	10
ACE 100P	66.6	1/18	3360	50.4	61.1	115 1Ø	0.98	12.5
ACE 160P2	66.6	1/10	3360	50.4	103.5	115 1Ø	1.30	16
ACE 44	66.6	1/56	1680	25.2	41.6	115 1Ø	0.62	12.5
ACE 80P	66.6	1/40	1680	25.2	55.8	115 1Ø	0.80	16
ACE 110P2	66.6	1/33	1680	25.2	69.9	115 1Ø	1	20
ACE 72T	66.6	1/33	3360	50.4	32.7	230 3Ø	0.26	-
ACE 244PT	66.6	1/13	3360	50.4	84.1	230 3Ø	0.62	-
ACE 320P2T	66.6	1/9	3360	50.4	126.6	230 3Ø	0.74	-
ACE 66T	66.6	1/56	1680	25.2	37.2	230 3Ø	0.23	-
ACE 110PT	66.6	1/40	1680	25.2	51.3	230 3Ø	0.30	-
ACE 145P2T	66.6	1/33	1680	25.2	65.5	230 3Ø	0.38	-
ACE 66	88.8	1/23	3360	37.8	62.8	115 1Ø	0.82	10
ACE 100P	88.8	1/18	3360	37.8	81.4	115 1Ø	0.98	12.5
ACE 160P2	88.8	1/10	3360	37.8	138	115 1Ø	1.30	16
ACE 44	88.8	1/56	1680	18.9	55.8	115 1Ø	0.62	12.5
ACE 80P	88.8	1/40	1680	18.9	75.2	115 1Ø	0.80	16
ACE 110P2	88.8	1/33	1680	18.9	93.8	115 1Ø	1	20
ACE 72T	88.8	1/33	3360	37.8	43.4	230 3Ø	0.26	-
ACE 244PT	88.8	1/13	3360	37.8	112.4	230 3Ø	0.62	-
ACE 320P2T	88.8	1/9	3360	37.8	169	230 3Ø	0.74	-
ACE 66T	88.8	1/56	1680	18.9	49.6	230 3Ø	0.23	-
ACE 110PT	88.8	1/40	1680	18.9	69	230 3Ø	0.30	-
ACE 145P2T	88.8	1/33	1680	18.9	87.6	230 3Ø	0.38	-



# ACE

Type Tipo	Ratio Relación	Delivered power Potencia entregada	Input r.p.m. no-load Revoluciones entrada sin carga	Output r.p.m. no-load Revoluciones salida sin carga	Rated torque Par nominal	Voltage Tensión	Current Intensidad	Capacitor Condensador
	i	HP	rpm	rpm	in-lbs	Vac - 60 Hz	A	µF
ACE 66	122.1	1/23	3360	27.5	85.8	115 1Ø	0.82	10
ACE 100P	122.1	1/18	3360	27.5	112.4	115 1Ø	0.98	12.5
ACE 160P2	122.1	1/10	3360	27.5	189.4	115 1Ø	1.30	16
ACE 44	122.1	1/56	1680	13.7	77	115 1Ø	0.62	12.5
ACE 80P	122.1	1/40	1680	13.7	103.5	115 1Ø	0.80	16
ACE 110P2	122.1	1/33	1680	13.7	129.2	115 1Ø	1	20
ACE 72T	122.1	1/33	3360	27.5	60.2	230 3Ø	0.26	-
ACE 244PT	122.1	1/13	3360	27.5	154.9	230 3Ø	0.62	-
ACE 320P2T	122.1	1/9	3360	27.5	*208	230 3Ø	0.74	-
ACE 66T	122.1	1/56	1680	13.7	69	230 3Ø	0.23	-
ACE 110PT	122.1	1/40	1680	13.7	94.7	230 3Ø	0.30	-
ACE 145P2T	122.1	1/33	1680	13.7	120.4	230 3Ø	0.38	-
ACE 66	159.8	1/23	3360	21	112.4	115 1Ø	0.82	10
ACE 100P	159.8	1/18	3360	21	148.7	115 1Ø	0.98	12.5
ACE 160P2	159.8	1/10	3360	21	*208.0	115 1Ø	1.30	16
ACE 44	159.8	1/56	1680	10.5	101.8	115 1Ø	0.62	12.5
ACE 80P	159.8	1/40	1680	10.5	135.4	115 1Ø	0.80	16
ACE 110P2	159.8	1/33	1680	10.5	169.0	115 1Ø	1	20
ACE 72T	159.8	1/33	3360	21	78.8	230 3Ø	0.26	-
ACE 244PT	159.8	1/13	3360	21	203.4	230 3Ø	0.62	-
ACE 66T	159.8	1/56	1680	10.5	90.3	230 3Ø	0.23	-
ACE 110PT	159.8	1/40	1680	10.5	123.9	230 3Ø	0.30	-
ACE 145P2T	159.8	1/33	1680	10.5	158.4	230 3Ø	0.38	-
ACE 66	213	1/23	3360	15.6	150.4	115 1Ø	0.82	10
ACE 100P	213	1/18	3360	15.6	195.6	115 1Ø	0.98	12.5
ACE 44	213	1/56	1680	7.8	135.4	115 1Ø	0.62	12.5
ACE 80P	213	1/40	1680	7.8	180.5	115 1Ø	0.80	16
ACE 72T	213	1/33	3360	15.6	105.3	230 3Ø	0.26	-
ACE 244PT	213	1/13	3360	15.6	*208.0	230 3Ø	0.62	-
ACE 66T	213	1/56	1680	7.8	120.4	230 3Ø	0.23	-
ACE 110PT	213	1/40	1680	7.8	165.5	230 3Ø	0.30	-
ACE 145P2T	213	1/33	1680	7.8	*208.0	230 3Ø	0.38	-
ACE 66	293	1/23	3360	11.4	207.1	115 1Ø	0.82	10
ACE 44	293	1/56	1680	5.7	186.7	115 1Ø	0.62	12.5
ACE 72T	293	1/33	3360	11.4	145.1	230 3Ø	0.26	-
ACE 66T	293	1/56	1680	5.7	165.5	230 3Ø	0.23	-
ACE 66	383.6	1/23	3360	8.6	*208.0	115 1Ø	0.82	10
ACE 44	383.6	1/56	1680	4.3	*208.0	115 1Ø	0.62	12.5
ACE 72T	383.6	1/33	3360	8.6	189.4	230 3Ø	0.26	-
ACE 66T	383.6	1/56	1680	4.3	*208.0	230 3Ø	0.23	-
ACE 66	511.4	1/23	3360	6.5	*208.0	115 1Ø	0.82	10
ACE 44	511.4	1/56	1680	3.2	*208.0	115 1Ø	0.62	12.5
ACE 72T	511.4	1/33	3360	6.5	*208.0	230 3Ø	0.26	-
ACE 66T	511.4	1/56	1680	3.2	*208.0	230 3Ø	0.23	-
ACE 66	703	1/23	3360	4.7	*208.0	115 1Ø	0.82	10
ACE 44	703	1/56	1680	2.3	*208.0	115 1Ø	0.62	12.5
ACE 72T	703	1/33	3360	4.7	*208.0	230 3Ø	0.26	-
ACE 66T	703	1/56	1680	2.3	*208.0	230 3Ø	0.23	-



Type Tipo	Ratio Relación	Delivered power Potencia entregada	Input r.p.m. no-load Revoluciones entrada sin carga	Output r.p.m. no-load Revoluciones salida sin carga	Rated torque Par nominal	Voltage Tensión	Current Intensidad	Capacitor Condensador
	i	HP	rpm	rpm	in-lbs	Vac - 60 Hz	A	µF
ACE 66	920.5	1/23	3360	3.6	*208.0	115 1Ø	0.82	10
ACE 44	920.5	1/56	1680	1.8	*208.0	115 1Ø	0.98	12.5
ACE 72T	920.5	1/33	3360	3.6	*208.0	230 3Ø	0.26	-
ACE 66T	920.5	1/56	1680	1.8	*208.0	230 3Ø	0.23	-
ACE 66	1227.5	1/23	3360	2.6	*208.0	115 1Ø	0.82	10
ACE 44	1227.5	1/56	1680	1.3	*208.0	115 1Ø	0.98	12.5
ACE 72T	1227.5	1/33	3360	2.6	*208.0	230 3Ø	0.26	-
ACE 66T	1227.5	1/56	1680	1.3	*208.0	230 3Ø	0.23	-
ACE 66	1687.5	1/23	3360	1.9	*208.0	115 1Ø	0.82	10
ACE 44	1687.5	1/56	1680	0.9	*208.0	115 1Ø	0.98	12.5
ACE 72T	1687.5	1/33	3360	1.9	*208.0	230 3Ø	0.26	-
ACE 66T	1687.5	1/56	1680	0.9	*208.0	230 3Ø	0.23	-
ACE 66	2209.5	1/23	3360	1.4	*208.0	115 1Ø	0.82	10
ACE 44	2209.5	1/56	1680	0.7	*208.0	115 1Ø	0.98	12.5
ACE 72T	2209.5	1/33	3360	1.4	*208.0	230 3Ø	0.26	-
ACE 66T	2209.5	1/56	1680	0.7	*208.0	230 3Ø	0.23	-

(\*) - Under no circumstances should the torque values marked with an asterisk be exceeded. With the higher gear ratios the motor power is considerably higher than the capacity of the gear unit.

(\*) - Los valores referentes al par marcados con el asterisco, no se deben en absoluto superar, ya que, con las altas relaciones, la potencia del motor es notablemente mayor que la capacidad del reductor.

Also available in 230 Vac single phase input.

Also available in 460 Vac three phase input.

Note - 230 Vac three phase suitable at 208 Vac.

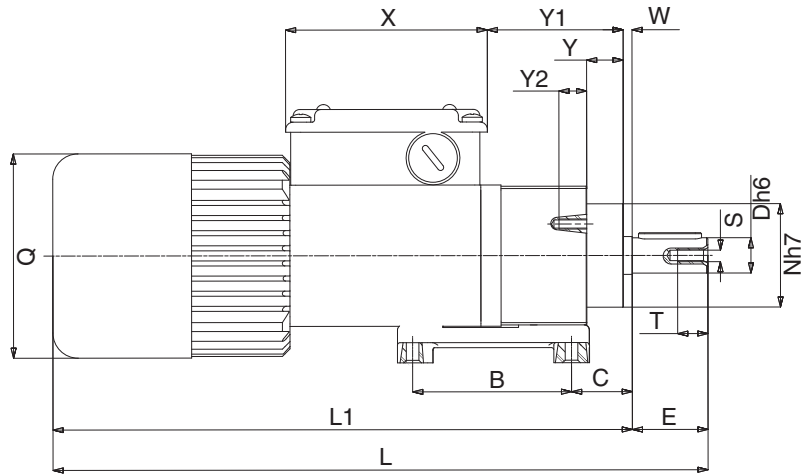
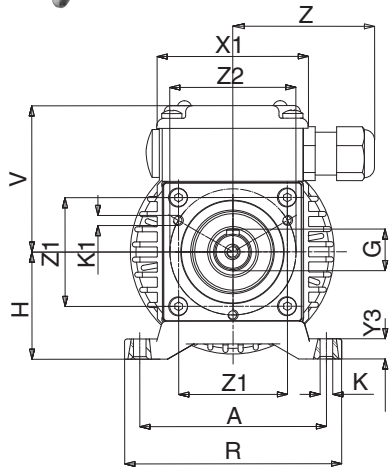
Disponible también con entrada monofásica de 230 Vca.

Disponible también con entrada trifásica de 460 Vca.

Nota - 230 Vca trifásica adecuada para 208 Vca.



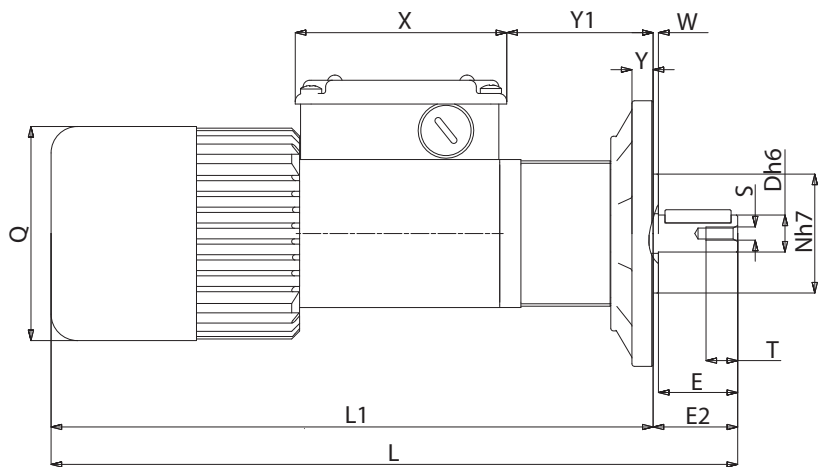
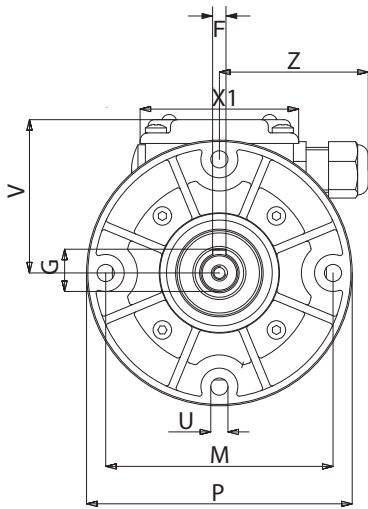
# ACE



## B3

Type Tipo	A	B	C	D	E	F	G	H	K	K1	L	L1	N	Q	R
ACE...	2.913	2.480	0.945	0.511	1.181	0.197	0.630	1.693	0.217	M4	10.079	8.898	1.614	3.189	3.386
ACE...P	2.913	2.480	0.945	0.511	1.181	0.197	0.630	1.693	0.217	M4	10.669	9.488	1.614	3.189	3.386
ACE...P2	2.913	2.480	0.945	0.511	1.181	0.197	0.630	1.693	0.217	M4	11.457	10.276	1.614	3.189	3.386

Type Tipo	S	T	V	X	X1	Y	Y1	Y2	Y3	W	Z	Z1	Z2	Weight Peso lbs
ACE...	M5	0.394	2.362	3.150	2.362	0.571	2.165	0.433	0.315	0.138	2.205	1.623	1.969	5.839
ACE...P	M5	0.394	2.362	3.150	2.362	0.571	2.165	0.433	0.315	0.138	2.205	1.623	1.969	6.424
ACE...P2	M5	0.394	2.362	3.150	2.362	0.571	2.165	0.433	0.315	0.138	2.205	1.623	1.969	7.329



## B5

Type Tipo	D	E	E2	F	G	L	L1	M	N	P	Q
ACE...	0.551	1.181	1.260	0.197	0.630	10.079	8.819	3.386	1.772	3.937	3.189
ACE...P	0.551	1.181	1.260	0.197	0.630	10.669	9.409	3.386	1.772	3.937	3.189
ACE...P2	0.551	1.181	1.260	0.197	0.630	11.457	10.197	3.386	1.772	3.937	3.189

Type Tipo	S	T	U	V	X	X1	Y	Y1	W	Z	Weight Peso lbs
ACE...	M5	0.394	0.256	2.362	3.150	2.362	0.315	2.244	0.079	2.205	5.905
ACE...P	M5	0.394	0.256	2.362	3.150	2.362	0.315	2.244	0.079	2.205	6.490
ACE...P2	M5	0.394	0.256	2.362	3.150	2.362	0.315	2.244	0.079	2.205	7.395

For the self-braking version, add the letter KA or KB to the type designation. Dimensions L, L1 increase by 1.063 in.

En la versión freno, añadir las letras KA ó KB a la sigla del tipo. Las cotas L, L1 aumentan de 1.063 in.